

VOLT CADDY



Owner's Manual & User Guide

Please read the manual and guide before using your Volt Caddy.

V1.0

IC

MODEL: PRO-S (HVN:PRO-S)
IC: 28319-PROS

FCC

FCC ID: 2A37L-PROS



Designed in Canada

WELCOME AND INSTRUCTIONS



Congratulation for becoming the owner of Volt Caddy®, the latest generation of electric golf pushcart.

Please read the manual and guide carefully, to optimize your experience. Ensure the motor unit battery and remote control are fully charged.



WARNING:

It is very important to attach the Motor Unit to the cart frame before starting.

Please make sure to try and practice with the remote control in an open area until you are familiar with the maneuver.

Please make sure you have all components:

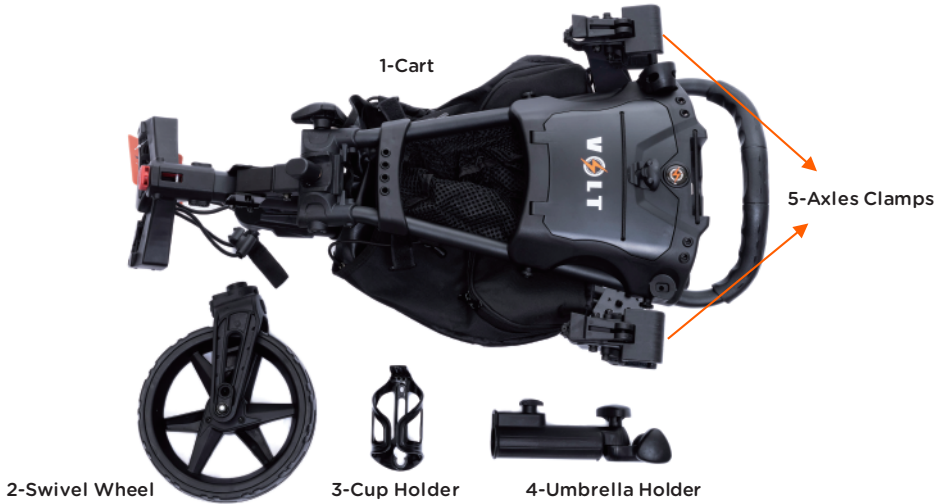
Key Components:

Pushcart frame with Front Sewel wheel and Axles Clamp
Battery
Battery Charger and Cable
Remote Control with Cover
Motor Unit

Accessories:

Support Wheels (1 pair)
Cup Holder
Umbrella Holder
Wheel Holders (1 pair)

THE BASIC ANATOMY OF VOLT CADDY



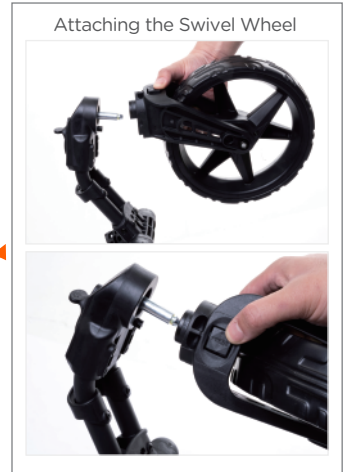
Box A - Cart Frame and Parts

1. Cart with pair of axle clamps
2. Swivel Wheel
3. Cup Holder
4. Umbrella Holder
5. Axles Clamps
6. Motor Unit

Box B - Motor Unit and Battery

7. Battery
8. Battery Charger and Cable
9. Support Wheels
10. Remote Control
11. Remote Control Holder
12. Wheel Holders (1 pair)

THE BASIC ANATOMY OF VOLT CADDY WITH A GOLF CART



THE BASIC ANATOMY OF VOLT CADDY MOTOR UNIT



PARING THE REMOTE CONTROL



1 Turn ON remote controller : Press 2 times

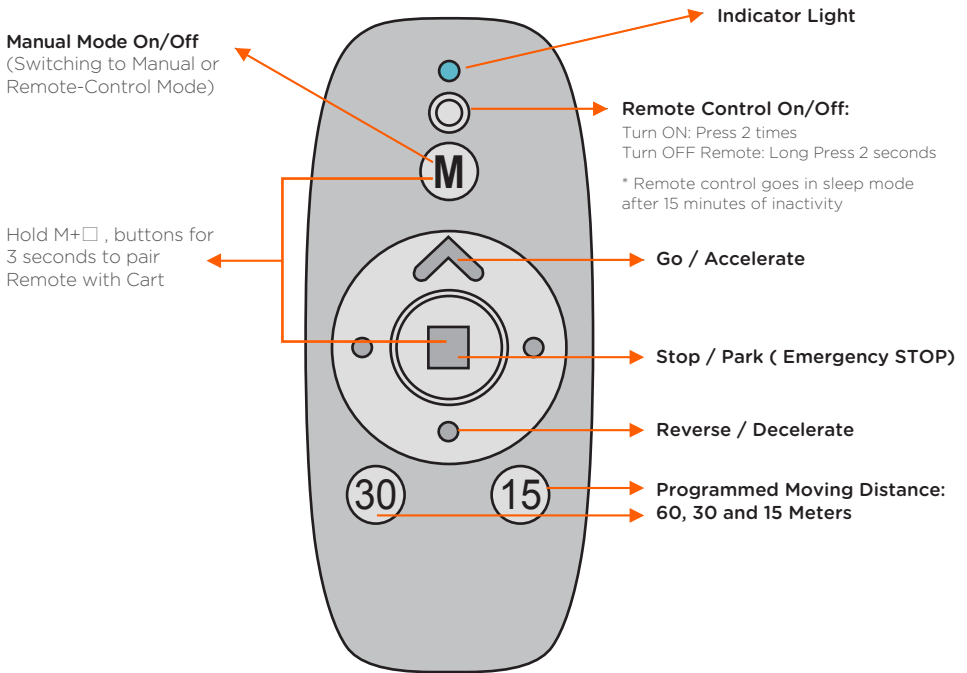
Ensure remote control batteries are inserted. (Battery required AAA).

2 Turn ON motor unit

3 Hold M+□ , buttons for 3 seconds to pair Remote with Cart.

When the light flashes, it is the window for syncing the Remote Control (around 3 seconds)

4 Confirm Indicator Light flashing



★★ TIPS ★★

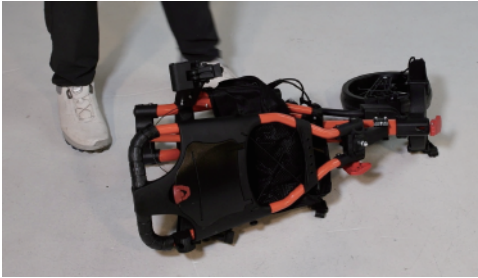
It is very important to carry 2 spare AAA batteries on the course all the time

1 FOLDING AND UNFOLDING YOUR CART

UNFOLDING CART

Unfold the upper frame section fully

Lift the main frame from the central hinge until the lock clicks into position



FOLDING CART

Press and hold the upper RED release button

Lift the handle and release the button



2 ATTACHING / DETACHING YOUR CART TO THE MOTOR UNIT

- 1 Ensure the cart frame is fully unfolded
- 2 Extend the wheels of the motor unit
- 3 Place the Axle Clamps onto the axle. Make sure the clamps are laying equally on the both sides of axles. Adjust both sides to ensure they are equal distance if necessary
- 4 Lock the axles by tighten the Clamps. (Reverse these steps to disassemble the unit.)



★★ TIPS ★★

- 1 It is very important to attach the wheel to the cart frame before starting the motor
- 2 The tightness of the clamp can be adjusted by turning the handle. The clamps should be tighten as much as possible to have stable motion. Loose clamps could cause unintended damages to the product that will not be covered under warranty

3 CONNECTING OR REMOVING THE BATTERY

★★ CAUTION! ★★

- 1 Make sure the unit is POWERED OFF before plugging and removing the battery
- 2 Make sure the battery is securely locked before using it on the golf course

To Remove the Battery:

- Pull the lock button
- Pull the battery handle to remove the battery



Plugging the Battery

- Position the battery on the bottom of Motor Unit from opposite side of the Lock Button .
- Pull the Lock Button
- Push the battery handle down to connect the battery



Dual USB Ports are available to charge your mobile devices

4 INSTALLING THE ANTI-TIP SUPPORT WHEELS

- 1 Push the button on the Support Wheel
- 2 Insert and link to the Axle Clamps
- 3 Ensure it is Locked to the upper part of the Axle Clamp



IMPORTANT INFORMATION

The Support Wheel attachments and angle could be adjusted using a screw-driver

5 STARTING YOUR VOLT CADDY

★★ TIPS ★★

It is very important to attach the wheel to the cart frame before starting. Start the motor without cart attached, could cause unintended damages to the product that will not be covered under warranty

- 1 Push the START Button
- 2 Light Flashing indicates that it is been started
- 3 The batter level is indicated by the number of light
- 4 When the light flashes, it is ready for syncing the Remote Control (around 3 seconds window)



Power On / Off Button

6 CHARGING BATTERY & MAINTENANCE

- Plug the charger into the Motor Unit.
- The LED indicator on the battery charger will turn red when charging begins.
- When charging is complete, the LED indicator on the charger will change from red to green.
- It should take about 4 hours to fully charge the battery
- Unplug the charger after charging is complete, to prolong battery life and prevent over-heating.

MAINTENANCE

- For safety, use only chargers provided by the manufacturer.
- Overcharging voltage or current may cause damage to this product.
- Store the unit and the charger in a cool, dry place and avoid direct sunlight
- Avoid soaking or drop the battery in water
- Dropping the battery may cause damage to internal components and BMS



7 PARING THE REMOTE CONTROL

★★ TIPS ★★

It is very important to carry 2 AAA batteries as spare all the time

1 Ensure remote control batteries are inserted. (Battery required AAA).



2 Pair your remote with Volt Caddy by pressing :

- Press Power button on the Motor Unit. When the light flashes, it is ready for syncing the Remote Control (around 3 seconds)
- Press M and □ buttons for 3 seconds (this only requires at first time syncing).
- Wait until the motor unit light flashes



INDICATOR LIGHT INSTRUCTION

IMPORTANT INFORMATION

When going uphill or downhill on a steep slope, the indicator light may show rapid change, which is caused by a quick voltage change. It will return to normal power

- Light Flashing : The motor is started or it successfully synced with remote control
- 5 Light = Battery is full, 1 Light = Battery is low



WARRANTY POLICY AND INCLUSIONS



The Volt Caddy® is covered by a Limited* Comprehensive manufacturer's warranty from the date of purchase. The manufacturer's warrant covers manufacturing defects that occur through normal use on a golf course. Any breakage and defect caused by accidental damage or as a result of abuse and misuse or commercial use is not covered.

Duration of this warranty is:

- 24 months on cart parts*
- 12 months on lithium batteries
- 24 months on battery chargers
- 12 months on motor and control unit.

* Volt Caddy® or an authorized service center will repair or replace any parts found to be defective in materials or workmanship under normal use provided that:

- The Volt Caddy® has been properly used, maintained and regularly service per the manual instructions.
- The replacement or repair is performed by an authorized service center or the owner with approval.
- The caddy has been bought from a recognized distributor or reseller.

WARRANTY EXCLUSIONS



The following events causing unintended damages will void warranty:

- Start Volt Caddy before the clamps on the axles are tighten and they are fully locked
- Accidental damage, consumer misuse, abuse or neglect
- Any alteration performed by non-authorized people or companies.
- Any damage caused by continued operation of the motorized caddy after it is known to be defective.
- Damage to the axles by standing on it
- Damage caused by ingress of water into CPU and other major components
- Damage caused by caddy going into bunkers and other course hazards
- Failure to follow battery charging instructions, or using any charger purchased from an unauthorized supplier.

MAINTENANCE



- DO NOT STAND on the Axles or on the Motor unit.
- Avoid starting the motor unit if Axles Clams it not attached and locked
- Try to minimize exposure to rain as much as possible
- To prevent water damage, never use a pressure washer to clean the motor unit.

SAFETY FEATURES



Volt Caddy is fitted with safety cut off features:

- The remote control will turn to idle mode after 15 minutes no activity. To reactivate, press "START" 2 times
- While moving, if the caddy is out-of-range of the remote control, it will cut power to the motors.
- Please use "Manual Mode" and push the cart, if the area is too narrowed and dangerous



PROBLEM	POSSIBLE CAUSE	WHAT TO TRY
Volt Caddy is not responding to my remote control	<ol style="list-style-type: none"> ❶ Check if the remote is on (it will go idle after 15 minutes) ❷ Check if it is Manual mode ❸ Remote is not Paired ❹ The battery on remote control is losing power 	<ol style="list-style-type: none"> ❶ Press On/OFF button 2 times to activate it ❷ Press M button to return to control mode ❸ Hold M+□ , buttons for 3 seconds until the light on the ❹ Change battery in the remote control
Remote control is damaged or lost		Contact Volt Caddy to acquire a new set of remote control
Volt Caddy is not starting	<ol style="list-style-type: none"> ❶ Check if the battery is charged, If not fully charge it ❷ Check if the battery is connected properly 	<ol style="list-style-type: none"> ❶ Charge the battery see if the light on charger is red ❷ Reconnect the battery to the motor unit

FCC Part 15



FCC ID: 2A37L-PROS

FCC Caution:

This device complies with part 15 of the FCC Rules. Operation is subject to the following two conditions: (1) This device may not cause harmful interference, and (2) this device must accept any interference received, including interference that may cause undesired operation.

Any changes or modifications not expressly approved by the party responsible for compliance could void the user's authority to operate the equipment.

NOTE: This equipment has been tested and found to comply with the limits for a Class B digital device, pursuant to Part 15 of the FCC Rules. These limits are designed to provide reasonable protection against harmful interference in a residential installation. This equipment generates, uses and can radiate radio frequency energy and, if not installed and used in accordance with the instructions, may cause harmful interference to radio communications.

However, there is no guarantee that interference will not occur in a particular installation.

If this equipment does cause harmful interference to radio or television reception, which can be determined by turning the equipment off and on, the user is encouraged to try to correct the interference by one or more of the following measures:

- Reorient or relocate the receiving antenna.
- Increase the separation between the equipment and receiver.
- Connect the equipment into an outlet on a circuit different from that to which the receiver is connected.
- Consult the dealer or an experienced radio/TV technician for help.

The device has been evaluated to meet general RF exposure requirement. The device can be used in portable exposure condition without restriction.

IC (Industry Canada)



MODEL: PRO-S
(HVN:PRO-S)
IC: 28319-PROS

IC Caution:

RSS-Gen Issue 5 "&" RSS-Gen numéro 5

This device contains license-exempt transmitter(s)/receiver(s) that comply with Innovation, Science and Economic Development Canada's licence-exempt RSS(s). Operation is subject to the following two conditions:

- (1) This device may not cause interference.
- (2) This device must accept any interference, including interference that may cause undesired operation of the device.

Any changes or modifications not expressly approved by the party responsible for compliance could void the user's authority to operate the equipment.

RF exposure statement:

The equipment complies with IC Radiation exposure limit set forth for uncontrolled environment. This equipment should be installed and operated with minimum distance 10cm between the radiator and your body.

Cet appareil contient des émetteurs / récepteurs exemptés de licence conformes aux RSS (RSS) d'Innovation, Sciences et Développement économique Canada. Le fonctionnement est soumis aux deux conditions suivantes:

- (1) Cet appareil ne doit pas causer d'interférences.
- (2) Cet appareil doit accepter toutes les interférences, y compris celles susceptibles de provoquer un fonctionnement indésirable de l'appareil.

Tout changement ou modification non expressément approuvé par la partie responsable de la conformité pourrait annuler l'autorité de l'utilisateur à utiliser l'équipement.

Déclaration d'exposition RF:

L'équipement est conforme à la limite d'exposition aux radiations de la IC établie pour un environnement non contrôlé. Cet équipement doit être installé et utilisé avec une distance minimale de 10 cm entre le radiateur et votre corps.

LOCATING AND REGISTERING YOUR SERIAL NUMBER

The serial number of **Volt Caddy** is located at the bottom of the Motor unit.

Please ensure to record and provide us the information for service communication and inquiry .

To register your product, visit www.voltcaddy.com

Place of Purchase

Date of Purchase

Y	Y	M	M	D	D
---	---	---	---	---	---

Serial Number
(ex: B30-22A-001-0001)

X	X	X	-	X	X	X	-	X	X	X	-	X	X	X	X
---	---	---	---	---	---	---	---	---	---	---	---	---	---	---	---

ADDITIONAL INFORMATION

THE BASIC ANATOMY OF VOLT CADDY WITH AN UTILITY WAGON




VOLT CADDY

Contact Information:

 Support@voltcaddy.com

Spare Parts Inquiry:

 Support@voltcaddy.com

WWW.VOLTCADDY.COM